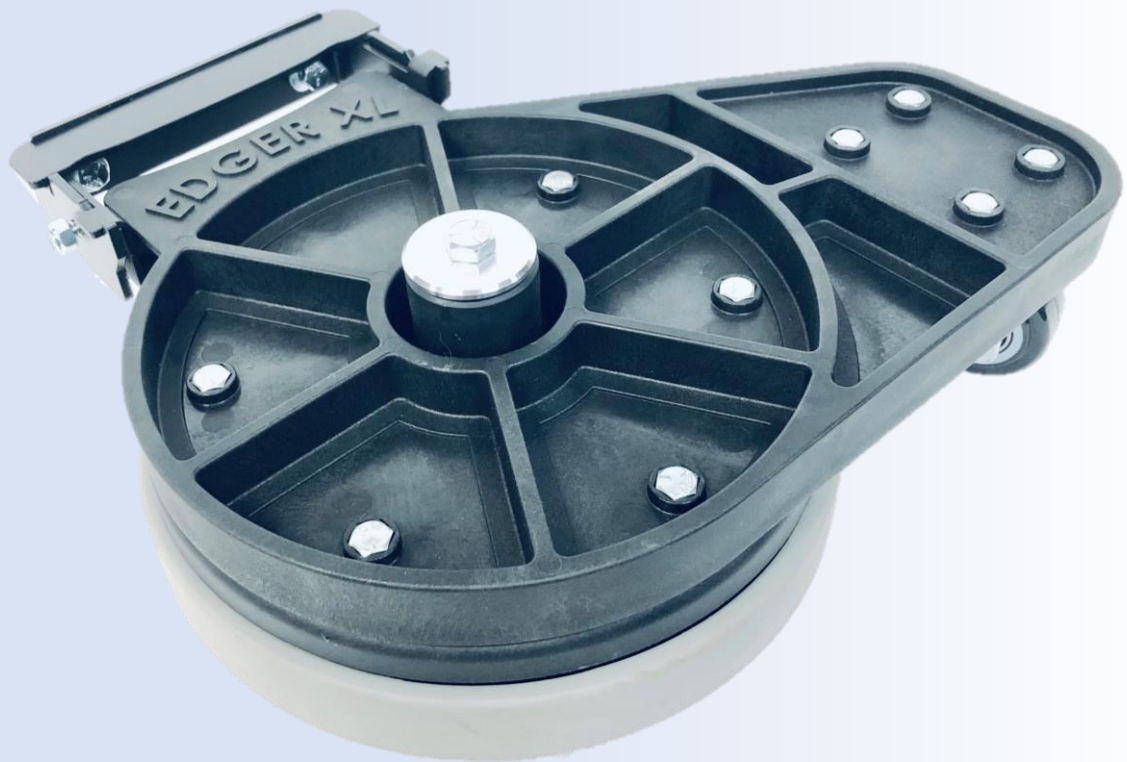


Assembly Instructions

EDGER XL

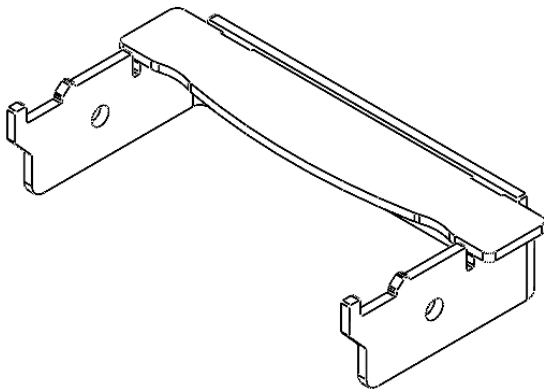


Bluestreakequipment MAGNETICS
APPLICATION DRIVEN DESIGN

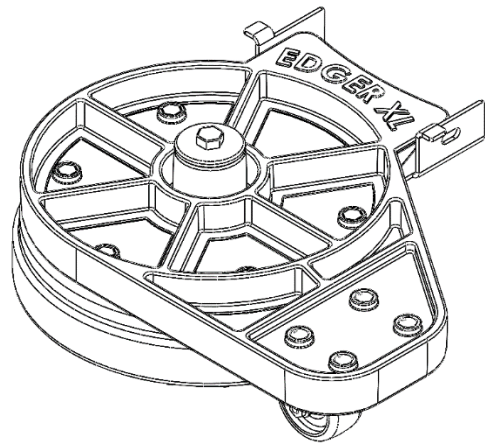
Bluestreak Equipment
1645 Hwy #3, Delhi, Ontario, Canada N4B 2W6

What's in the box - Parts

(A) Edger XL Mounting Bracket – 1 pc

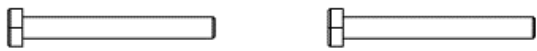


(B) Edger XL Sweeper – 1 pc

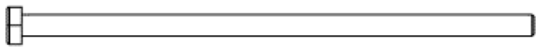


What's in the box - Fasteners

(C) 1/4" x 2 1/4" Hex Bolts –
2 pcs



(D) 1/4" x 6" Hex Bolt – 1 pc



(E) 1/4" Flat Washers – 4
pcs

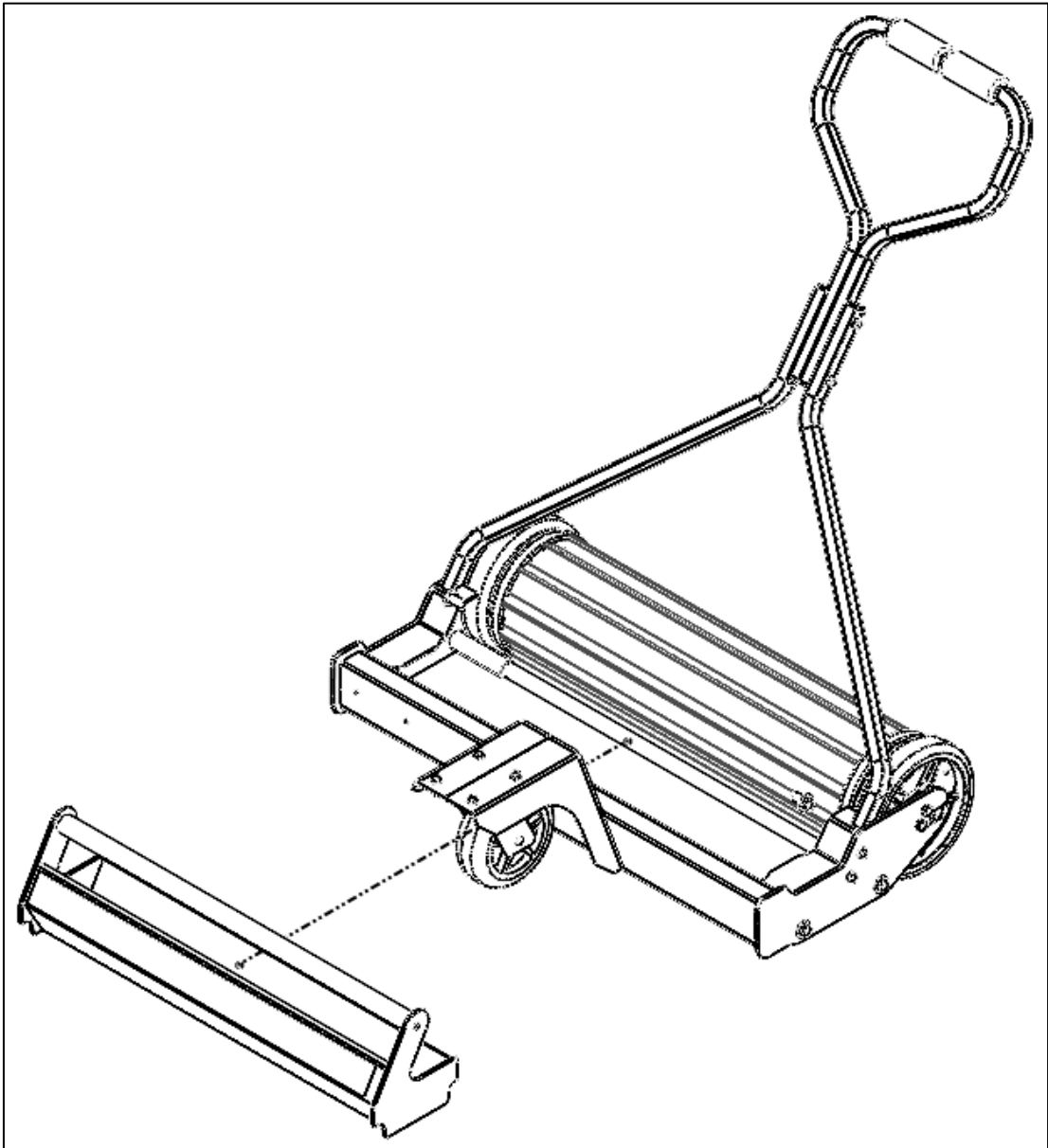


(F) 1/4" Nyloc Nuts – 3 pcs

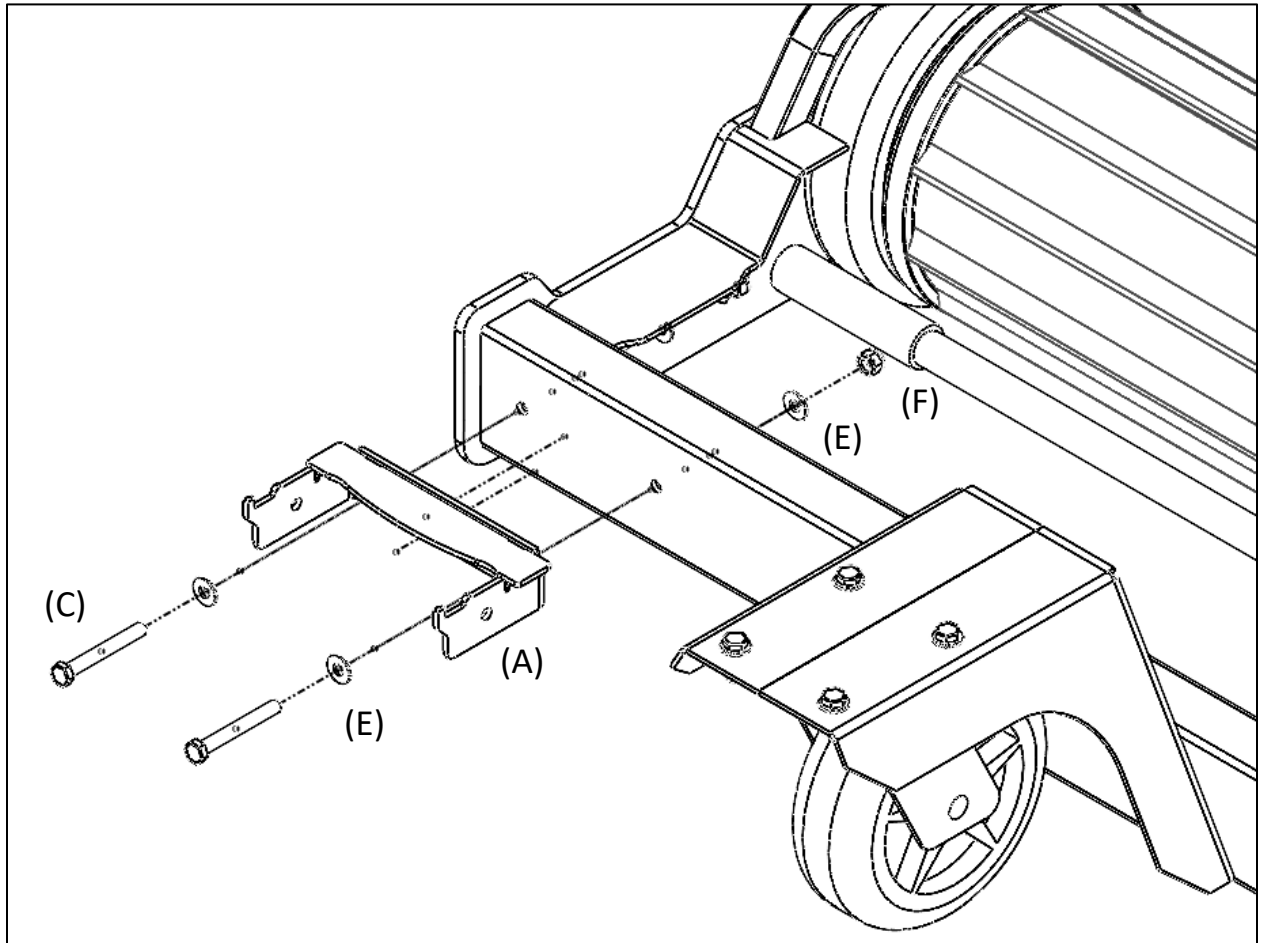


Before Assembly

Remove the bin from the Quantum sweeper for easier access.



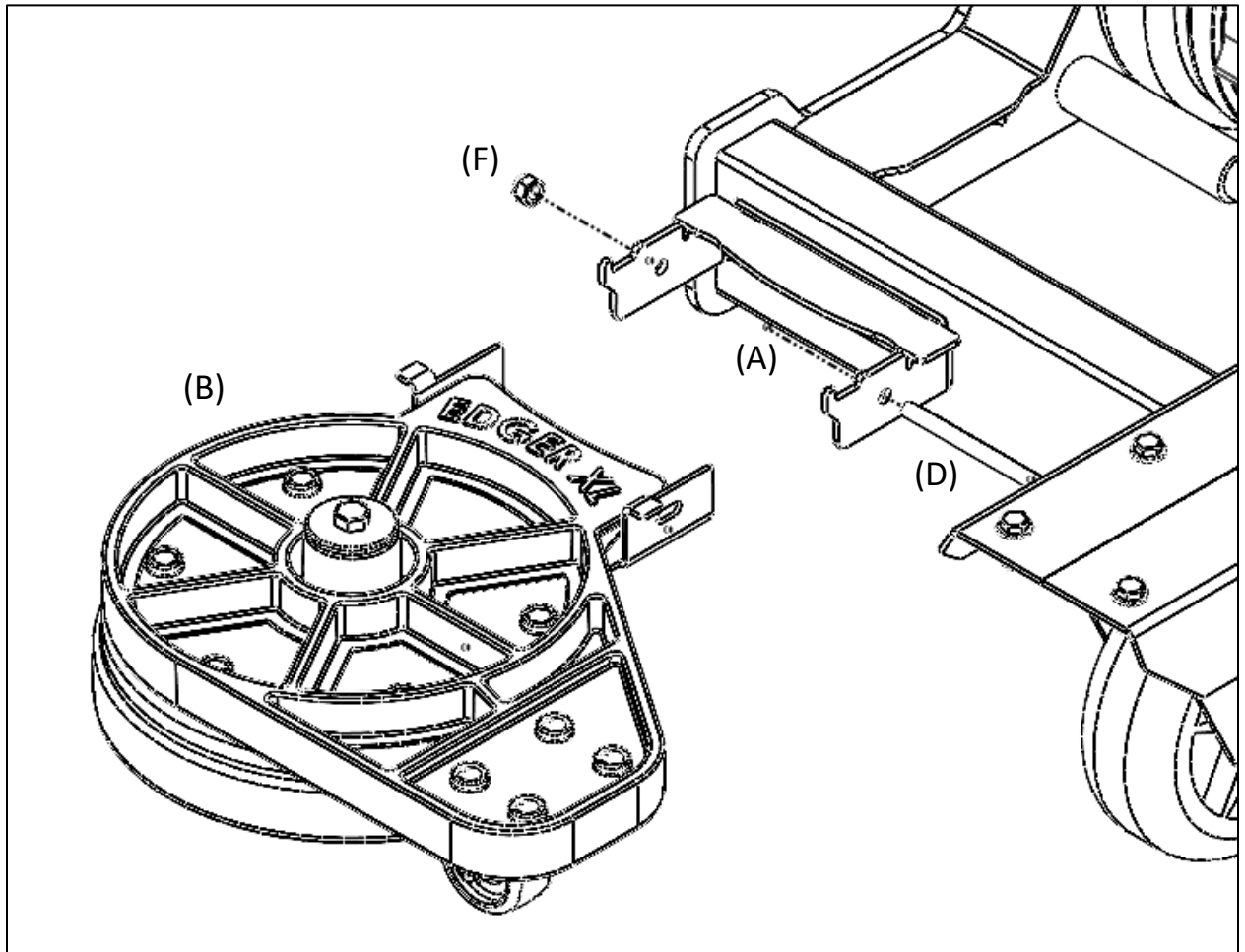
Step 1. Attach Mounting Bracket



(1) Attach Mounting Bracket

- a. Attach the mounting bracket (Item A) to the Quantum front frame using 2 pcs 1/4" x 2 1/4" Hex Bolts (Item C), 4 pcs 1/4" Flat Washers (Item E), and 2 pcs 1/4" Nyloc Nuts (Item F).

Step 2. Attach Edger XL to Bracket



(1) Attach Edger XL to Bracket

- a. Align the slot on the Edger XL (Item B) with the hole on the mounting bracket (Item A).
- b. Attach using 1 pc 1/4" x 6" Hex Bolt (Item D) and 1 pc 1/4" Nyloc Nut (Item F). Adjust the tightness of the bolt so that the Edger XL is mounted steadily, while it still can be flipped up easily.

After Assembly

Place the debris bin back onto the Quantum.

